



INSTRUCTION BULLETIN

No. 340831
Machine: T20
Published: 01-2016
Rev. 02

NOTE: DO NOT DISCARD the Parts List from the Instruction Bulletin. Place the Parts List in the appropriate place in the machine manual for future reference. Retaining the Parts List will make it easier to reorder individual parts and will save the cost of ordering an entire kit.

NOTE: Numbers in parenthesis () are reference numbers for parts listed in Bill of Materials.

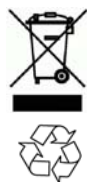
Installation instructions for **kit number 9003134**

SYNOPSIS:

This kit contains the parts needed to install a squeegee vacuum wand kit on T20 machines.
Please follow step-by-step instructions.

SPECIAL TOOLS / CONSIDERATIONS: NONE

(Estimated time to complete: 1 hour)



PROTECT THE ENVIRONMENT

Please dispose of packaging materials, used machine components such as batteries and fluids in an environmentally safe way according to local waste disposal regulations.

Always remember to recycle.

PREPARATION:

1. Park the machine on a clean level surface, turn off the machine, remove the key, and set the parking brake.

FOR SAFETY: Before leaving or servicing machine, stop on level surface, turn off machine, set parking brake, and remove key.

INSTALLATION:

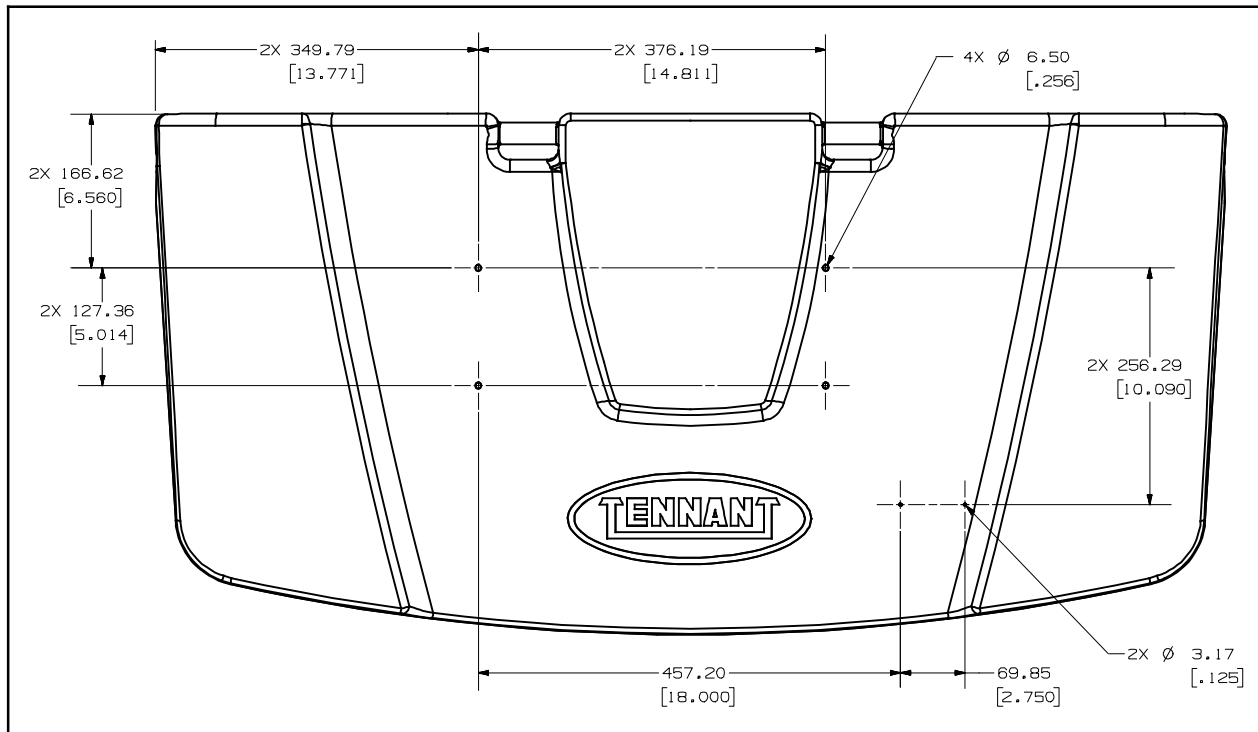


FIG. 1

1. Drill four 6.50 mm (0.256 in.) holes into the top of the recovery tank cover. (Fig. 1)
2. Drill two 3.17 mm (0.125 in.) holes into the top of the recovery tank cover. (Fig. 1)
3. Use four plastic rivets (2) to install the bag (1) onto the recovery tank cover. (Fig. 3)
4. Use a hex screw (11) and three flat washers (10) to install each finger grip clip (9) onto the recovery tank cover. (Fig. 3)
5. Install the squeegee shoe (7) onto the wand nozzle (8). (Fig. 3)
6. Slide the hose clamp (6) onto the hose (4), insert the straight fitting (5) into the hose, and tighten the hose clamp to secure the straight fitting to the hose. (Fig. 3)

7. Insert the hose (4), wand nozzle (8), and vacuum wand tubes (3) into the bag (1) and secure the ends of the vacuum wand tubes sticking out of the bag into the finger grip clips (9). (Fig. 2 / Fig. 3)



FIG. 2

8. Use the vacuum wand assembly to clean. Refer to the Operation Manual for instructions how to assemble and use the vacuum wand.

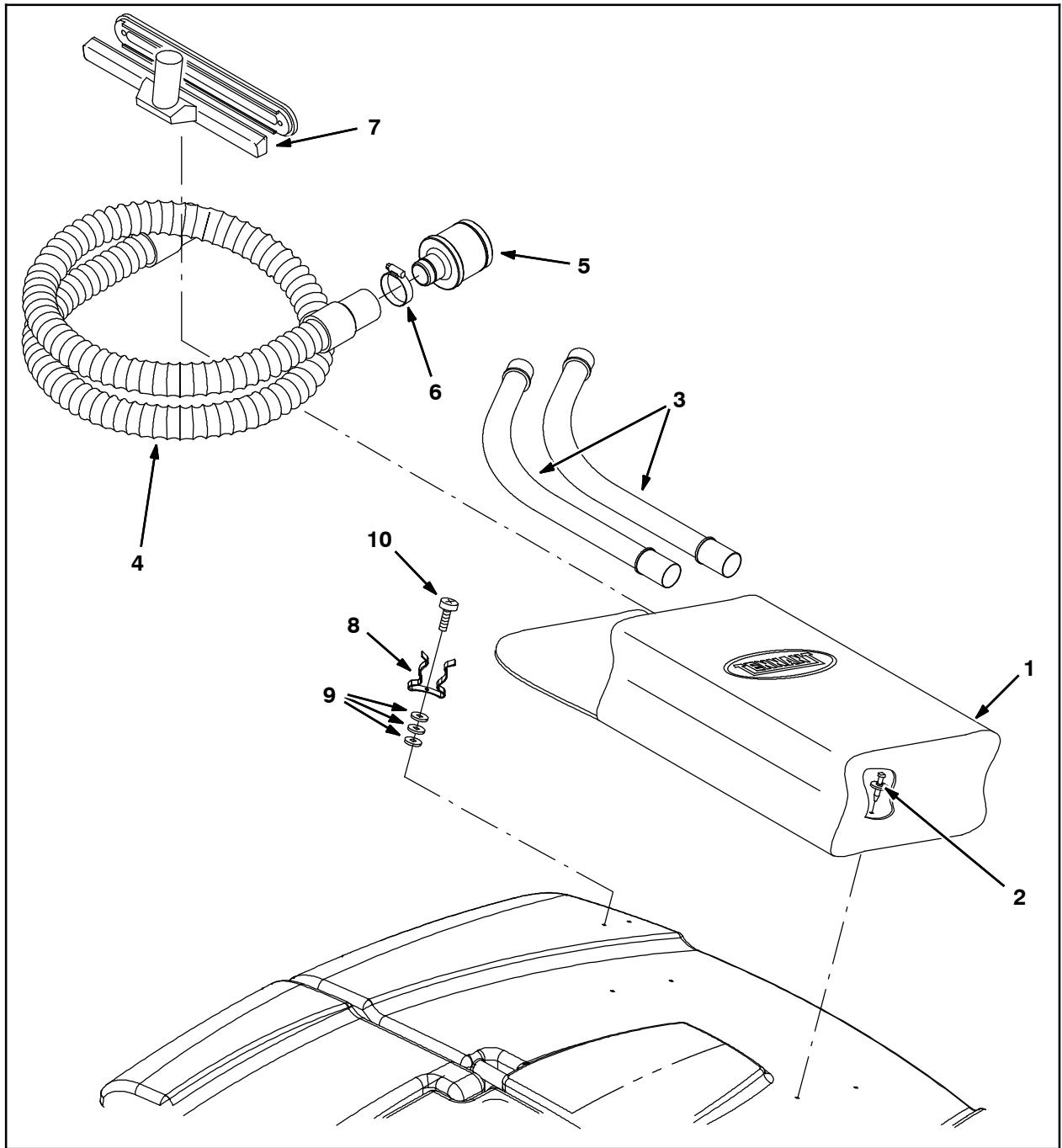


FIG. 3

Bill of Materials for Wand Kit, Vac, Sqge, CI [T20]-9003134

	Ref.	Tennant Part No.	Description	Qty.
▽		9003134	Wand Kit, Vac, Sqge, CI [T20]	1
▲	1	65580	Bag, Power	1
▲	2	72968	Rivet, Plstc, .250 X 0.898	4
▲	3	190722	Wand, Chm, Dbl Bend [1pk = 1 Box Of 2 Pc]	1
▲	4	86767	Hose Assy, W/2cuff, 1.5d 90l 1.5/1.5	1
▲	5	1029396	Fitting, Alm, Str, Bm24/Bm48	1
▲	6	11531	Clamp, Hose, Wormdrive, 1.06- 2.00d, .56w	1
▲	7	13840	Nozzle Assy, Tool, Wand, 14.0 Inch	1
▲	8	67004	Clip, Grip, Finger, 1.00- 1.88d White, Vyl	2
▲	9	19064	Washer, Flat, #06	6
▲	10	55845	Screw, Hex, M5 X 0.8 X 16, Fmg	2

TENNANT COMPANY
P. O. Box 1452
Minneapolis, MN 55440-1452